



QUARTER-TURN VIBRATION RESISTANT 12 MM

You design this vibration resistant quarter-turn latch to accommodate your needs by combining your choices of housing, nut, insert, washer, screw and cam. The latch can be delivered un-assembled, pre-assembled with enclosed cam or fully assembled.

The latch clicks to open and closed positions with good tactile feedback.

Vibration resistant according to DIN EN 61373. Available with IP66 protection and waterproof according to NEMA 4.



MATERIAL

Cam and screw: Steel, zinc plated

Earthing nut: Zinc die cast, zinc plated

Housing: Zinc die cast, chrome plated, black texture powder coated or zinc plated with black PA6 collar

Insert: Zinc die cast, chrome plated or black texture powder coated

Standard nut: Zinc die cast, zinc plated

Washer: Stainless steel 304

RELATED PRODUCTS

Handles and knobs: 2-360

Keys: 2-372, 2-380, 2-370

Accessories: 2-420, 2-590

Cams: 2-481, 2-491, 2-510, 2-520

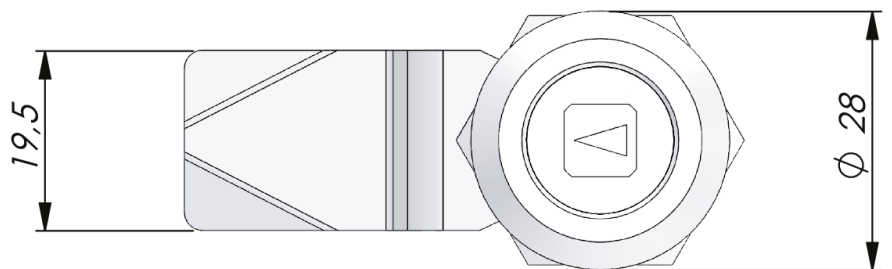
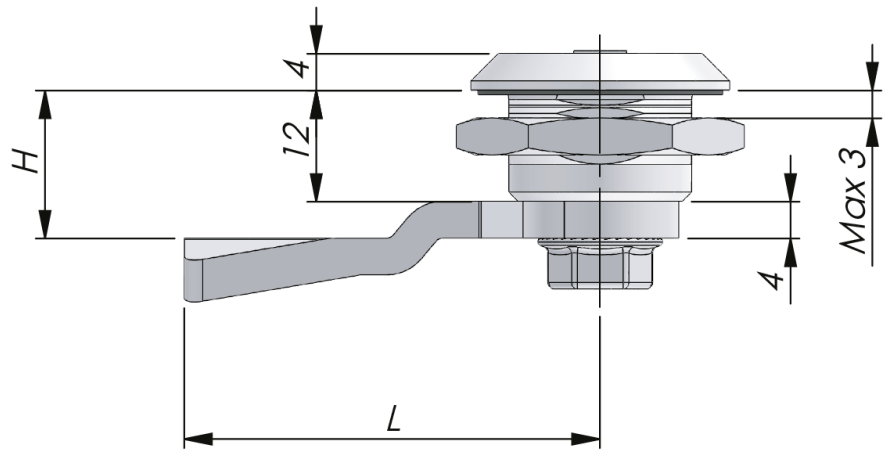
Use the Index Code at industrilas.com

TECHNICAL INFORMATION

Cutout: COMBI

To fulfill DIN EN 61373 the latch can be supplied with screw with mechanical thread lock, see column B (Nut) in table.

Standards: IP66, NEMA 4, DIN EN 61373



Industrilas
— When access counts —

Make your selections in each column to create your article number (AAAA-BCCDEF-HLL)

AAAA Housing	B Nut	CC Insert	D Surface - insert	E Assembly	F Cam	HHLL H/L in mm
2402 Zinc, chrome plated	0 SN	01 Square 6	2 Chrome	0 IP54 - not assembled	0 Steel	0000 No cam
	1 EN	03 Square 7	6 Black			0245 02 / 45
2406 Zinc, black coated	2 SN+TUF	05 Square 8		1 IP66 - not assembled		0445 4 / 45
2430 Zinc, PA6 collar	4 EN+TUF	07 Square 8 / slotted		2 IP54 - enclosed cam		0645 6 / 45
		08 Square 8 / M6		3 IP66 - enclosed cam		0845 8 / 45
		11 Square 8 / recessed		4 IP54 - assembled		1045 10 / 45
		14 Triangle 7		5 IP66 - assembled		1245 12 / 45
		15 Triangle 8		6 IP66 PUR - not assembled		1445 14 / 45
		16 Triangle 10		7 IP66 PUR - enclosed cam		1645 16 / 45
		17 Triangle 10 / M5		8 IP66 PUR - assembled		1845 18 / 45
		18 Triangle 10 / M6				2045 20 / 45
		19 Triangle 10 / SEN				2245 22 / 45
		21 Triangle 10 - radius ES3				2445 24 / 45
		22 Double Bit 3				2645 26 / 45
		24 Double Bit 5				2845 28 / 45
		26 Slotted				3045 30 / 45
		28 Slotted with arrow				3245 32 / 45
		29 Slotted recessed				3445 34 / 45
		31 Hexagon 8,5				3645 36 / 45
		32 Hexagon 11				3845 38 / 45
		34 Recessed hexagon 8				4045 40 / 45
		35 Recessed hexagon 10				4245 42 / 45
		36 Recessed hex 8 / 3 mm pin				4445 44 / 45
		37 Solid plug				
		39 Triangle 10 - radius				

SN = Standard nut. EN = Earthing nut.

TUF = Assembled with TUF-loc screw to achieve DIN EN 61373.

Can be supplied un-assembled, pre-assembled with enclosed cam or completely assembled.

PUR-gasket can not be supplied on housings with PA6 collar.



